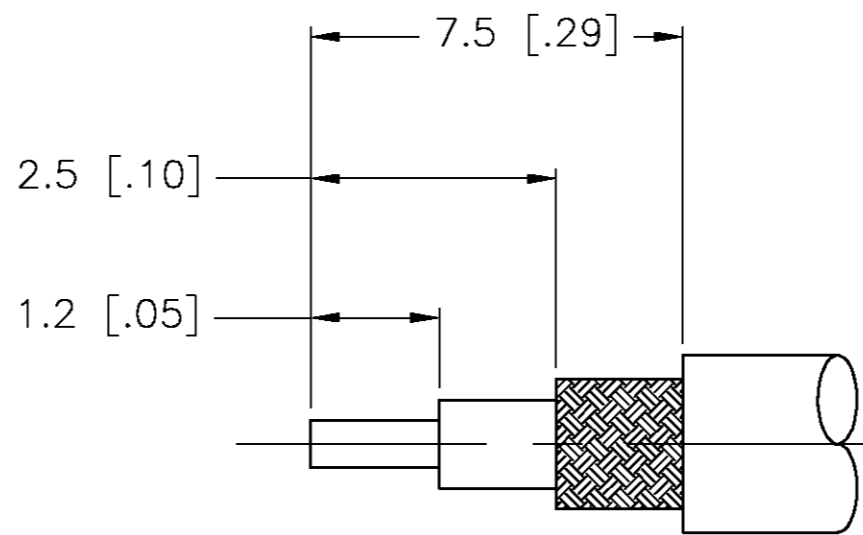
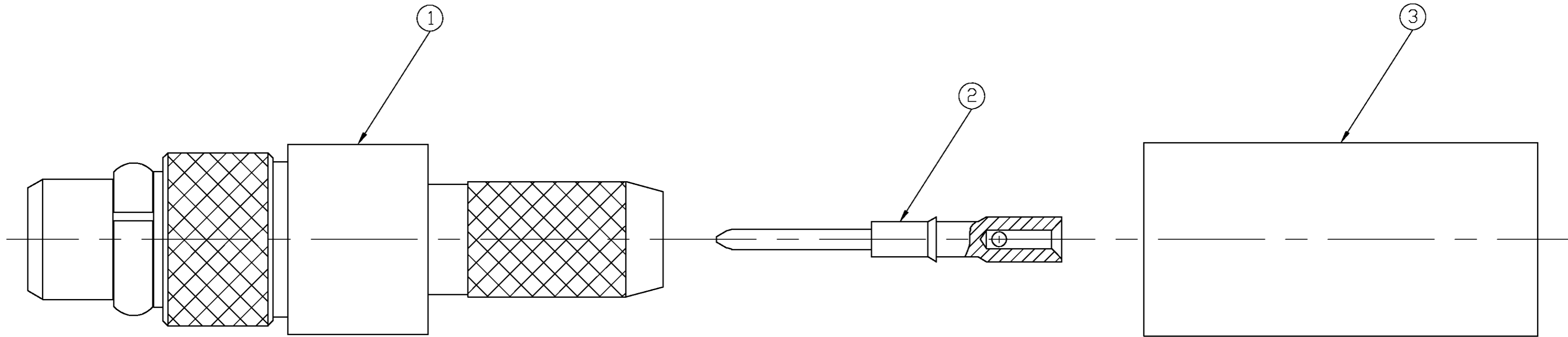


THIS DRAWING IS UNPUBLISHED. RELEASED FOR PUBLICATION  
 © COPYRIGHT BY TYCO ELECTRONICS CORPORATION. ALL RIGHTS RESERVED.

| LOC |     | DIST                 |         | REVISIONS |      |  |  |
|-----|-----|----------------------|---------|-----------|------|--|--|
| P   | LTR | DESCRIPTION          | DATE    | DWN       | APVD |  |  |
| C   |     | REV PER 0514-0469-03 | 20NOV03 | KW        | KW   |  |  |



RECOMMENDED CABLE STRIP LENGTH (NTS)

1. ITEMS 1, 2, AND 3 PACKAGED UNASSEMBLED

② CRIMP REQUIREMENTS: CENTER CONTACT .70 [.028] SQUARE

③ CRIMP REQUIREMENTS: FERRULE 3.25 [.128] HEX

④ CRIMP REQUIREMENTS: FERRULE 3.86 [.152] HEX

|                  |            |           |             |             |
|------------------|------------|-----------|-------------|-------------|
| RD-316 ②④        | 3-413889-2 | 1408215-4 | 1408317-1   | 1408312-2   |
| RG-316 ②③        | 3-413889-1 | 1408215-4 | 1408317-1   | 1408312-1   |
| CABLE CRIMP INFO | FERRULE ③  | CONTACT ② | PLUG ASSY ① | PART NUMBER |

|   |  |                           |  |                 |
|---|--|---------------------------|--|-----------------|
| THIS DRAWING IS A CONTROLLED DOCUMENT.  |  | DWN RMF 01OCT01           | Tyco Electronics Corporation<br>Middletown, PA 17057 |                 |
| DIMENSIONS: MM [INCHES]   |  | CHK RMF 02OCT01           | NAME MMCX STRAIGHT CABLE PLUG                        |                 |
| TOLERANCES UNLESS OTHERWISE SPECIFIED:  |  | APVD RMF 02OCT01          | PRODUCT SPEC 108-2084                                |                 |
| 0 PLC ± -<br>1 PLC ± 0.1 [.004]<br>2 PLC ± 0.05 [.002]<br>3 PLC ± -<br>4 PLC ± -<br>ANGLES ± 1° |  | APPLICATION SPEC 408-8626 |  |                 |
| MATERIAL -  |  | WEIGHT .83G/.029oz        |  | SIZE A2         |
| FINISH -  |  | CUSTOMER DRAWING          |  | CAGE CODE 00779 |
|   |  | DRAWING NO C=1408312      |  | RESTRICTED TO - |
|   |  | SCALE 15:1                |  | SHEET 1 OF 1    |
|   |  |                           |  | REV C           |